



ALWAYS A STEP AHEAD
SODI RENTAL 2020

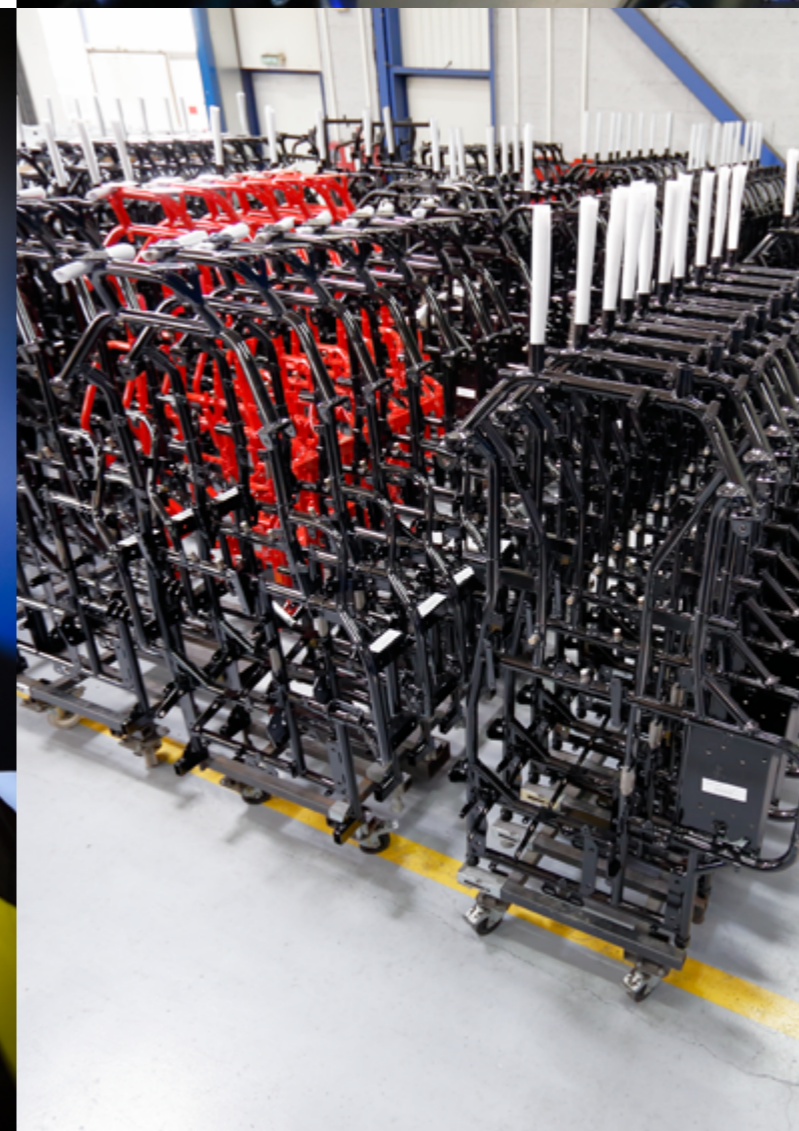
Sodi

WORLD LEADER

SODIKART is the world leader in karting industry

SODIKART is present on the five continents and now a key player in the karting market offering a unique range of products and services.

- ☑ Rental karts "SODI Rental"
- ☑ Racing karts "SODI Racing"
- ☑ Complete range of accessories (Tekneex, Mekaone) and equipment (Box's)
- ☑ Distance selling and specialized shops under the brand of ITAKAshop
- ☑ Organization of Races and Events (3MK Events)



A few figures

- ☑ **10.000m2 factory**
- ☑ **+120 employees**
- ☑ **1500 Tracks operating** (worldwide)
- ☑ **12 Research & development staff**

SODI RACING TEAM

Hard work pays off

The 2019 season proved especially successful for the Sodi chassis with eight resounding wins in the major international KZ and KZ2 races. The Sodi Racing Team drivers shone in the first races: Anthony Abbasse won the Winter Cup, Bas Lammers and Adrien Renaudin then took a superb double in the WSK Super Master Series, while Abbasse won the first European round at Wackersdorf. Bas Lammers was rewarded with an extraordinary 3rd place at the The FIA Karting - KZ World Championship.

A satellite team of the Sodikart factory, CPB Sport assembled many drivers and obtained great results in KZ2. Emilien Denner won the Andrea Margutti Trophy to start with before being crowned European Vice Champion, without forgetting the triumphant win for Sodi in the Sarno Final with victory for Denner (CPB Sport) ahead of Paolo Besancenez (3rd in the Championship) and Jean Nomblot (CPB Sport). **To close the 2019 season, Emilien Denner won the FIA Karting International Super Cup - KZ2.**



Emilien Denner - Winner of the FIA Karting International Super Cup 2019

Double in the WSK Master Series for Bas Lammers and Adrien Renaudin.



2019 SODI International prize list

Winter Cup - Lonato

- 1st – Anthony ABBASSE

WSK - Super Master Series

- 1st – Bas Lammers
- 2nd – Adrien Renaudin

FIA KARTING - European Championship

- 2nd – Bas Lammers
- 4th – Anthony Abbasse

FIA KARTING - KZ World Championship

- 3rd – Bas Lammers

FIA KARTING - KZ2 International Super Cup

- 1st – Emilien Denner

Endurance FIA Karting - 24h Karting

- 1st – Sodikart
- 2nd – Rouen Espace Karting – SODI



TRUE CHAMPIONS

They raced on SODI karts.

Charles Leclerc, Pierre Gasly, Esteban Ocon, Anthoine Hubert, Carlos Sainz Jr, Fernando Alonso, Valentino Rossi, Marc Marquez, Sébastien Loeb, Jean-Éric Vergne... Many drivers made their debut in karting - or simply have fun - with Sodi karts.

Pierre Gasly, Now official TORO ROSSO F1 driver.



Charles Leclerc, Now official FERRARI F1 driver.



Anthoine Hubert will stay in our memories forever.

«No matter how far your career takes you, karting is still the purest form of racing.»

Pierre Gasly

THE BEST FOR THE BEST

The best karting operators have selected the best to expand their business.



...



KARTING SHOP

the widest range of karting equipments and accessories

Established in 1991 ITAKAshop is the trade name of Sodikart. "The World Leader in Karting" has been successfully asserting its position on a daily basis as the No. 1 specialist in the sale of karting equipment and accessories.

ITAKAshop offers the widest range of karting equipment, spare parts and accessories with over 9,000 references in stock. Equipped with a 10,000m² warehouse in Nantes, ITAKAshop dispatches several hundred packages each and every day. ITAKAshop aims to offer the best choices and the best prices on its products to guarantee total satisfaction and provide an optimal service and high quality advice to both rental and racing customers.

ITAKAshop distributes major accessory and equipment brands, namely :

AIM, ALPINESTARS, ARAI, BELL, BOSCH, BOX'S, BRIDGESTONE, CASTOR, CHENG SHIN, DELL'ORTO, DENSO, DID, DOUGLAS WHEEL, DRIV'UP, DUNLOP, DURO, ELF, FREELINE, HONDA, IAME, IBEA, KARTCARE, KARTLUB, KENNOL, KG, LEXOIL, LOCTITE, MAXXIS, MGS, MIKUNI, MOTUL, NEW LINE, NGK, NOX, PARILLA, RK, SHELL, SILKOLENE, SKF, SODI, SPARCO, ROTAX, TEKNEEX, TILLET, TILLOTSON, TM, VEGA, WD 40, WYNN'S...

ITAKASHOP.com

ITAKA

SHOP.com

For any order
or more information :
get connected to our website
ITAKASHOP.com

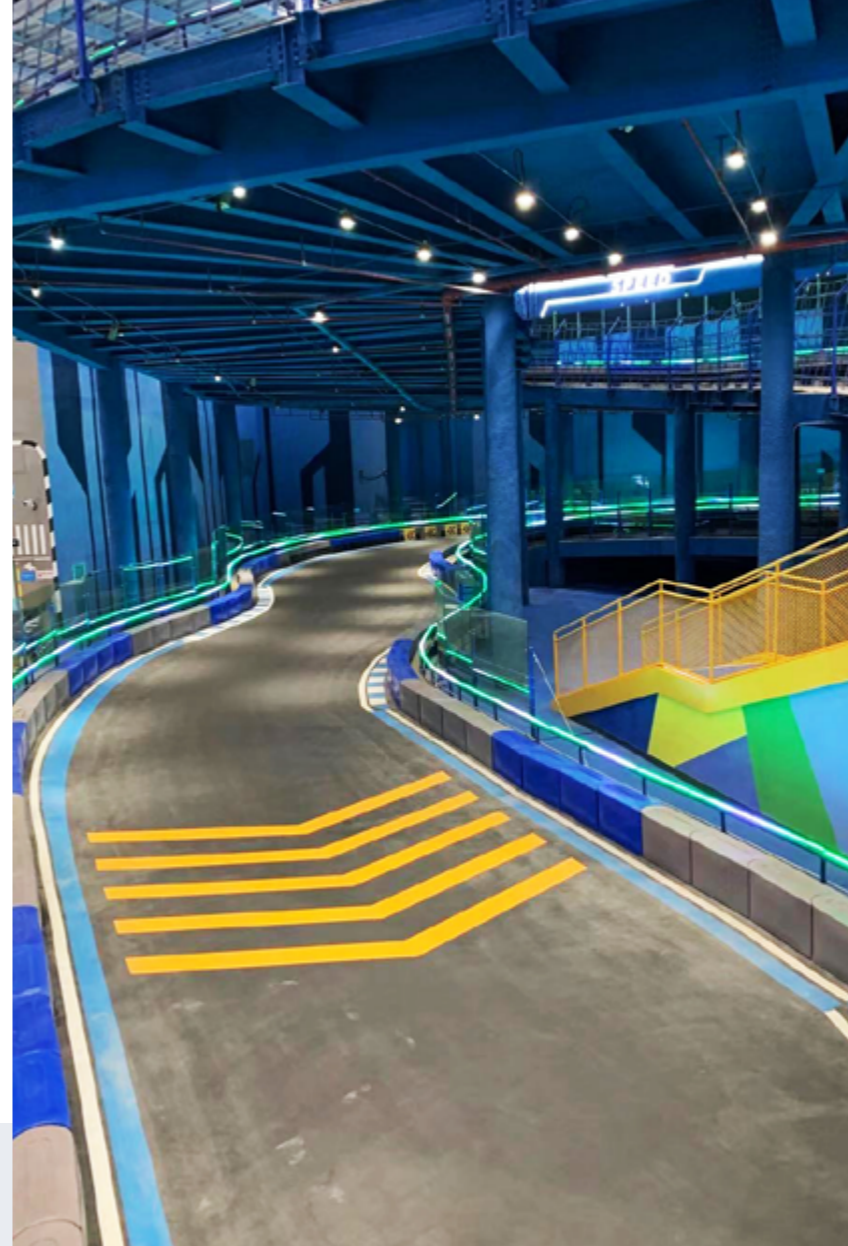


INVESTORS PROJECT SOLUTION

A clear understanding of the steps to achieve a successful project.

Leisure karting activities have been growing fast for the last decade and the growth forecasts for the coming 15 years are excellent. Numerous reasons for this success are described below but the fact that public discover that LEISURE KARTING is a SIMPLE, EXCITING activity for ALL THE FAMILY has strongly contributed to the development of this entertainment solution.

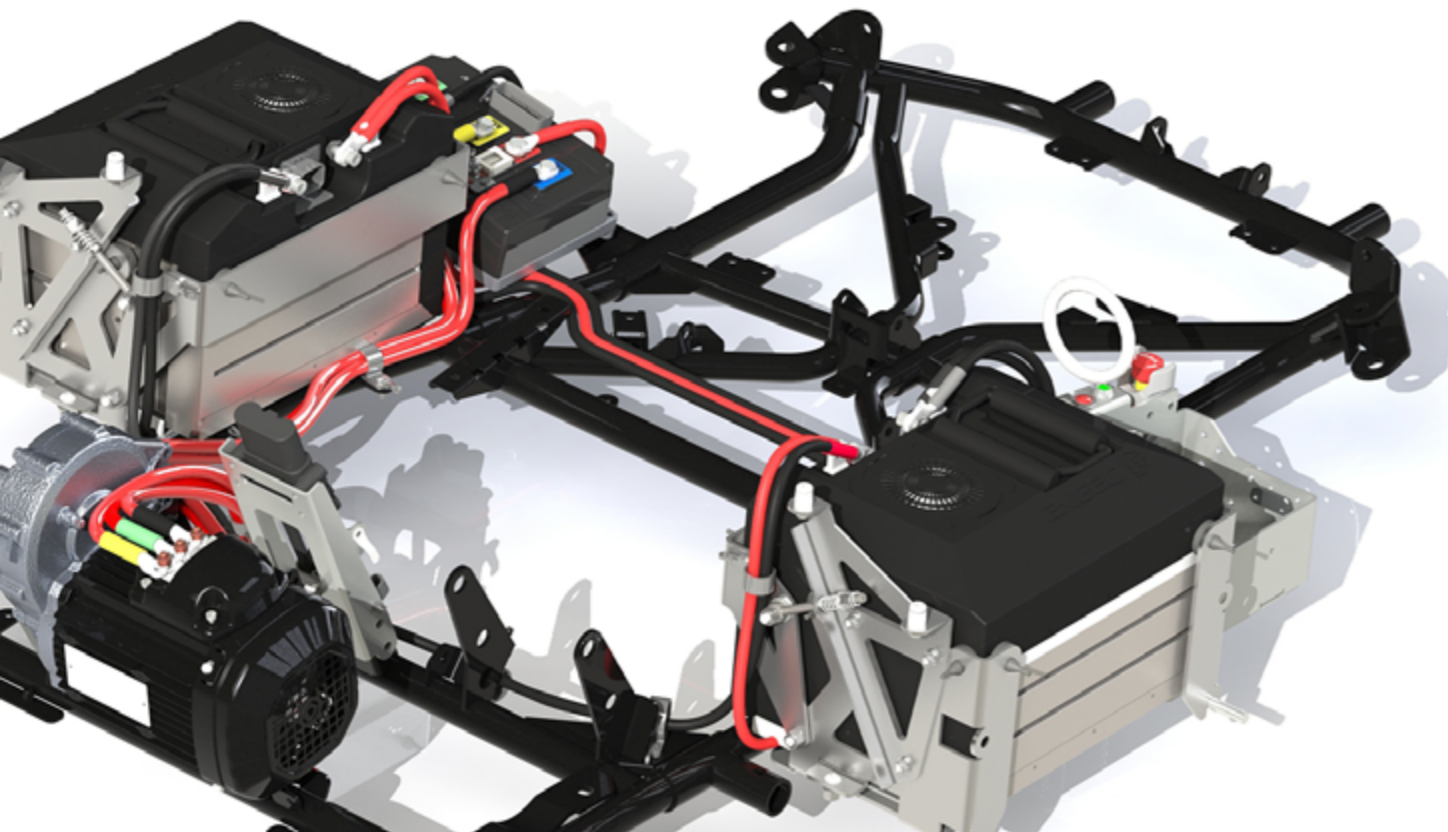
In order to support its customers, SODIKART offers below a clear understanding of the steps which are necessary to achieve a successful project. SODI recommended Independents Market Experts can be subcontracted by the customer on all points outlined below and depending on customer preferences



«SODIKART is the one partner you can trust to support and advise you for your karting project.»

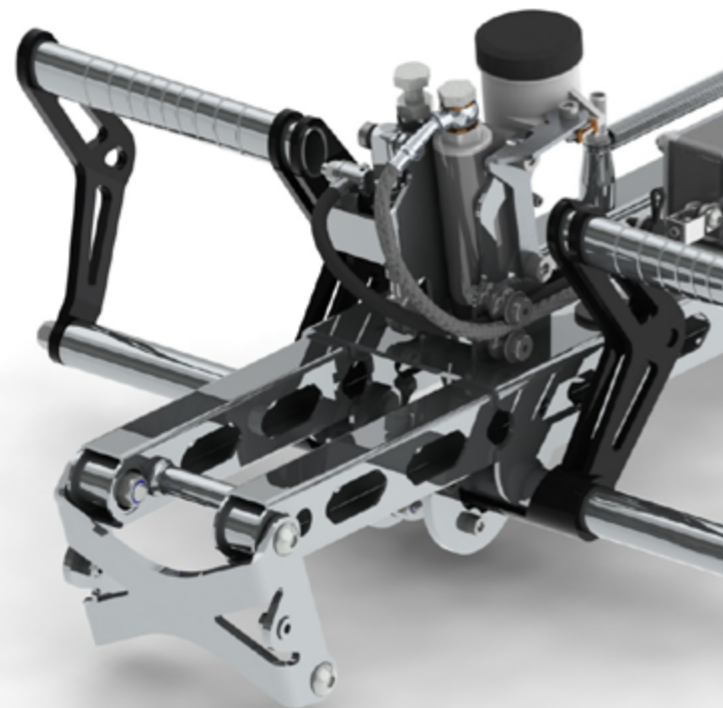
INNOVATION & CREATIVITY

38 Years of projects development.



Innovation and creativity have been driving the development of SODIKART for 38 years and all new projects must make our karts, our accessories, our equipment more competitive, more efficient and more in line with their markets.

Our Research and Development department is composed of engineers, specialized and devoted experts. They develop, adapt, correct, check, with one main objective : producing quality karts which are secure, durable, efficient, innovative but above all unique...



INNOVATION 2.0

Digital solutions designed for karting

Sodikart also innovates with digital solutions and revolutionizes again the karting world

GAME OF KARTS

Half way between karting and a racing video game, «Game of Karts» is a thrilling, fun and hilarious interactive race!

The goal is simple: use your bonuses to beat your opponents and cross the finish line first! Bombs, missiles, boosts, lightning, etc.

These bonuses are formidable weapons for the race to victory. Up to you to use them at the right time!

A new way to drive a go-kart ... interactive, fun and hilarious! A world exclusive by SODI



SODISCAN

Sodikart has developed a simple, ergonomic and optimised tool for having a quick overview of the kart fleet.

The kart operator can simply and quickly monitor the kart fleet :

- Karts on track
- Charging karts
- Connected karts
- Offline karts

Kart information :

- Batteries charge level
- Average temperature
- Selected speed
- Alerts and data...



The Sodiscan can be displayed on large TV to support the operating staff. Sodiscan is also available on smartphone and tablet.

TECHNOLOGIES

A new age of karting advancement.



To avoid overriding or penetration of the barriers and to absorb impacts energy, Sodikart has developed a "PROLINE" all round plastic protection.

PROLINE comprises a front part, two side parts (particularly protecting the wheels), and a rear part. These different parts making up the «PROLINE» are fixed to the frame through elastic support blocks, so offering flexibility and deformation of the assembly for better impact absorption capacity.



Sodikart also offers a "PROSLIDE" patented all round plastic sliding protection. Its special profile contributes to limiting the risks of embedding or overriding in the event of an impact.

Its main characteristic is located in the sliding side joint between the mobile front part and the fixed side part (connected to the kart).

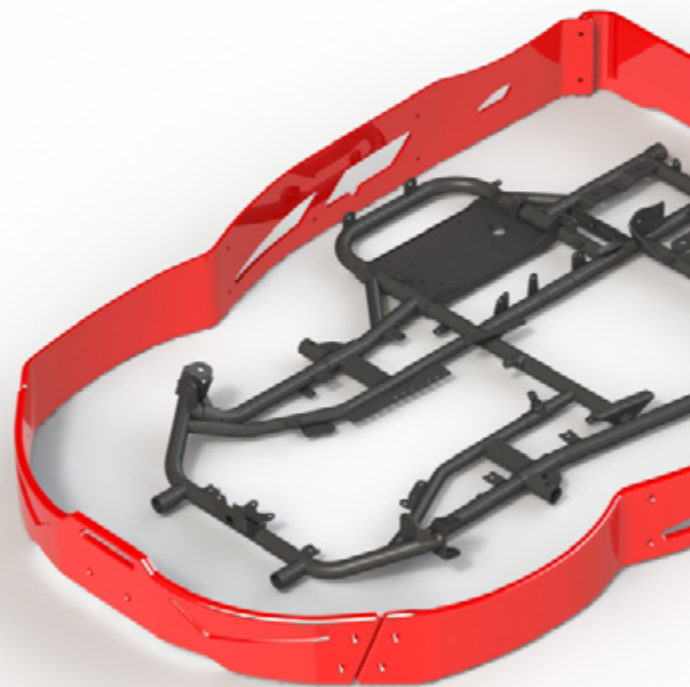
This connection allows relative movement of the front protection compared to the side protection and so permits effective damping of the shock experienced by the driver and by the kart (connection combined with absorbing material and the "HEAD system").

Its "OMEGA" fixing system is acting as a damper, also contributing (for side and rear impacts), to increasing the absorption capacity.

This fixing system also allows «floating» protection to be obtained around the chassis, which avoids modifying the chassis stiffness, and consequently preserves the kart's road holding qualities.



An optimisation system that adjusts to chassis torsion. Mechanical disengagement of all peripheral protections is based on assembly using ball joints or pivots. Patent filed.



In 2009, SODIKART patented the «HEAD System» : a high-energy frontal absorption system. This system, fitted with elastic blocks, allows the front part to be considerably pushed in and so permits high reversible energy frontal impact absorption.

SAFETY



Full rear axle covering

Integral bodywork specially designed to cover the hot and rotating parts of the rear part of the kart, considerably reducing any risk of burns or strangling.



Engine integral covering

The engine cover is insulated protection against the heat released by the engine. It also protects drivers against the risk of burns.



Integral floor covering

Integral floor covering the petrol tank and steering column, providing perfect protection of the drivers' legs and offering improved aesthetics.

Practical: the bodywork covering the tank is fitted with an opening allowing the fuel level in the tank to be seen quickly and so avoiding any risk of running out of fuel.



Lock & charge

Safety system that prevents any use of the electric kart while its charging. When the Kart is charging the whole electrical and electronic system switches to the «lock» position and is no longer powered, so that any use or movement of kart is impossible.

ERGONOMY



Adjustable pedals 1D

Traditionally in karting, the pedal mechanism is fixed and its position is in reality poorly adapted to most users.

The "APM - 1D" system allows adjustment of the pedal mechanism depth to adapt the pedals to leg lengths, no matter the driver's height. Adjustment is a simple manual operation.



3 angle pedal position system

Easily configurable system that enables more flexibility and comfort. 3 angle pedal positions for a better driving position.



Adjustable pedals 2D

Patented adjustable pedal mechanism allowing pedals to be adapted to leg lengths and people's height.

This ergonomic adjustable pedal offers driving comfort and allows the driver to benefit from optimum sensitivity and efficiency in braking or acceleration action. Adjustment is a simple manual operation.



Adjustable pedals 2D Auto

The APM - 2D "Auto" system benefits from inclined slides with automatic return and allows the pedal mechanism to be adjusted without effort. One press on the adjustment button is enough to adapt the pedal mechanism to the driver's morphology.



Adjustable steering wheel

Adjustable ergonomic steering wheel to offer drivers an ideal driving position.



Adjustable seat

Patented sliding seat which enables adjustability of the driving position. Adjustment is a simple manual operation.



Adjustable seat «Easy-fit»

Patented seat system adjustable on slides allowing the driving position to be improved. The "EASY FIT" system benefits from an adjustment strap positioned between the driver's legs for easy adjustment. A single pull on the adjustment strap is enough to adapt the seat to the driver's morphology.

PRACTICAL



Fast clips braking system

The "EASYFAST CLIPS BRAKING SYSTEM" has the objective of reducing the time to change brake disks and easing this operation. With this system the operation can be done in a few seconds.



Nylon rods concept

Sodikart is the first manufacturer to have developed and used flexible nylon steering rods. This strong material is strong enough to retain direction during impacts while being flexible enough to absorb them.



High capacity tank

Tank designed to offer greater capacity and allow maximum operating time. With 11 litre capacity, constant thickness and an integrated hose passage, this tank increases the time between refuelling and reduces the risk of failure.



Weights box

The majority of drivers should be able to benefit from maximum fairness despite differences in morphology and weight. To do this, on the majority of its karts, Sodikart offers weight boxes allowing additional weight to be "taken on board", which mitigates the weight differences between the drivers. This action allows performance "smoothing" and perfect race fairness.

Each weight box is fitted with a safety cover with opening locking system.

WORLD FIRST **GAME OF KARTS**
 THE ULTIMATE KARTING EXPERIENCE BY Sodi

**GET READY FOR A
 NEW GO-KART EXPERIENCE!**



**ROCKET
 BOMB
 BOOST
 SUPERPOWER
 SHIELD ...**

**USE ITEMS TO BEAT
 YOUR RIVALS!**

A racing video game... in real life!

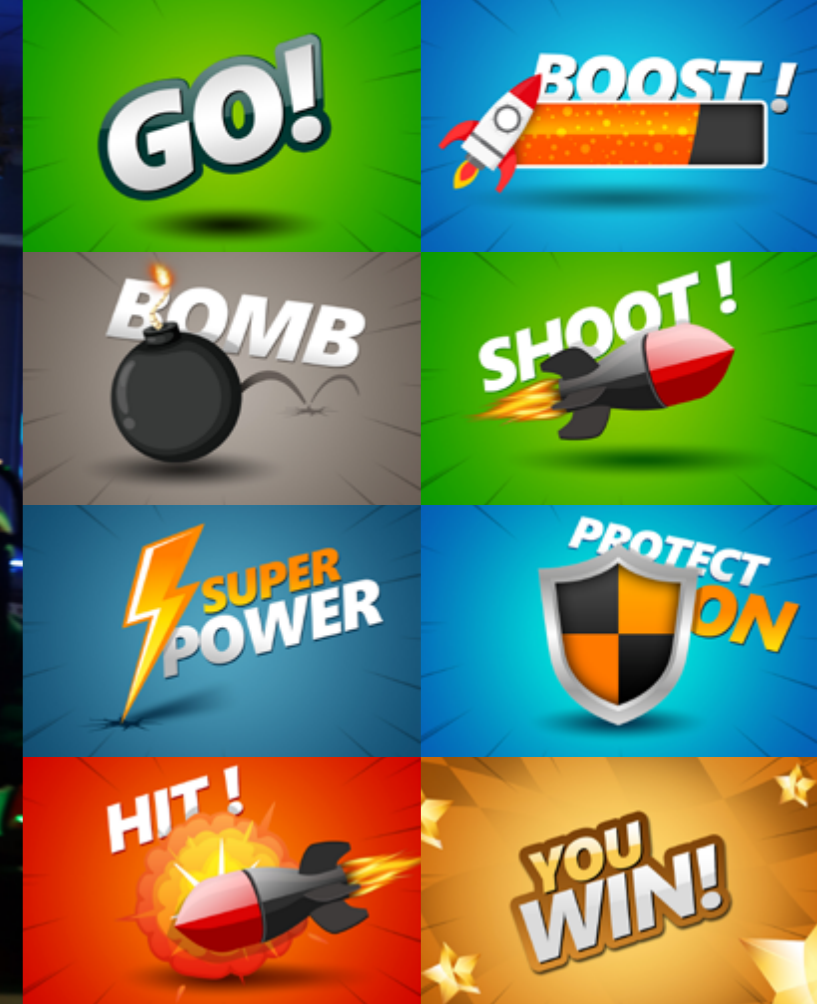
Get ready for a new Karting experience! Half way between karting and a racing video game, «Game of Karts» is a thrilling, fun and hilarious interactive race!
 A world exclusive by SODI

Bonuses to defeat your enemies!

The goal is simple: use your bonuses to beat your opponents and cross the finish line first! Bombs, missiles, boosts, lightning, etc. These bonuses are formidable weapons for the race to victory. Up to you to use them at the right time!

Speed to victory!

On a real SODI RSX electric kart, you will speed around on a track full of obstacles. Don't forget the importance of driving skills to increase your chances of victory. Keep clean trajectories and use your bonuses to win the race!



An interactive race with special lighting and sound effects!

«Game of Karts» has sound and light for an even more immersive and interactive race. Thanks to laser projectors and loud speakers around the track, the race is enhanced with incredible sound and light effects: the gaming experience is taken to the next level and the pilot is totally immersed in the game!

An interactive race with special lighting and sound effects!

(Use them by pressing the button on the steering wheel)

- Bomb: drop a bomb on the track... and your pursuer will «explode» when they drive over it.
- Boost: «Turbo» to increase your speed and leave your opponents behind.
- Lightning: Slow down ALL your opponents when you use it.
- Missile: the guided missile will hit the pilot just ahead of you.
- Shield: it protects you for a few seconds from your opponents attacks.

+ Other bonuses soon

«Take a seat, put your foot down and take on your opponents in a unique interactive race... Guaranteed thrills and fun! »

2020 RANGE

A large range of karts to meet customers' needs

Our production methods inspired by the automotive industry guarantee our clients a unique unequalled level of quality and reliability on the market.

With more than 1,500 tracks (indoor and outdoor) in the world, "Sodi Rental" karts enjoy an outstanding reputation and have been considered as the best rental karts in the world for many years.

Different levels of equipments are available in the range: «Junior», «Junior electric», «Elite», «Elite electric», «Sport» & «Concept». Each meets a specific requirement with the same concern for quality, security and unique operational performances. For professionals with high standards, "Sodi Rental" karts are unrivaled on the market.

MODEL	CATEGORY	PAGE
KidRacer ⚡	JUNIOR ELECTRIC	22
LRX ⚡	JUNIOR ELECTRIC	23
LR5	JUNIOR	24
GT4R	ELITE	26
GT5R	ELITE	27
SR4	ELITE	28
SR5	ELITE	29
RX8	ELITE	30
RT8	ELITE	31
RSX ⚡	ELITE ELECTRIC	32
SPORT	SPORT	34
2DRIVE	CONCEPT	37
FEATURES / EXTRA OPTIONS & ENGINES		38



SODI KIDRACER



The latest Kid kart designed by the Sodikart engineers. Children can now pretend to be a racing driver like Mum and Dad before they can even ride a bike! Behind the wheel of a real 100% electric, non-polluting kart, budding drivers from 3 to 6 years old can now race their friends or learn basic driving skills, just like a grown-up!

Safety first

Designed and developed by engineers at Sodikart, the KidRacer had to be safe, easy to handle and fun for budding young drivers.

Electric & modern

The KidRacer has an electric motor developed and configured to offer linear, comfortable acceleration to reassure young drivers. Its automatic brake (triggered whenever the foot is lifted off the accelerator) means even the youngest drivers can easily understand how to stop the kart (an emergency stop button is also accessible for accompanying parents if needed).

Autonomous & configurable

The KidRacer is fitted with a token mechanism and an easily configurable control unit. The operator can easily configure and modify the session duration, the speed, the sound effects, etc. Therefore the KidRacer is fully autonomous (with no need for a person dedicated to this activity) and adaptable to your requirements.

KEY STRENGTHS

- Electric
- Configurable
- Autonomous
- Easy and safe

REAL KART FOR KIDS FROM 3 TO 6 YEARS OLD JUNIOR ELECTRIC

FEATURES

- 100% Electric
- 3 to 6 years old
- Automatic brake
- Seatbelt
- Sound effect
- Timer coin
- Full protection
- Easy to drive
- Driving School

NEW GENERATION JUNIOR ELECTRIC



Revolution is taking place in the entertainment industry ! Electrical go karts are coming close by your ... homes ! Let's take a ride after dinner and before to enjoy a nice moovie or bowling party !

Born from the combination of the SODI LR5 (kids design) and the SODI RSX (electrical technology), this new electric go kart will surprise all the family and satisfy our young drivers. No smell, no noise and an eco friendly environment will allow the complete family to spend a good and funny moment on the track.

Safety is not negociable for our young stars, so we have kept all SODI LR5 standard safety features for this product:

- PROLINE 360 protection
- Adjustable Steering Wheel
- Adjustable Pedals 1D
- Adjustable seat EASY FIX

Ergonomic and easy to drive, the LRX place the drivers in the optimal position to achieve their dream in a real world !

Be part of the new generation and experiment a new world in safety !

KEY STRENGTHS

- Electric & safe
- 100% Ergonomic
- Reduced maintenance
- Environmentally friendly

SODI LRX



FEATURES



SAFETY

- Full rear axle covering
- Engine integral covering
- Lock & charge

ERGONOMY

- Adjustable seat «Easy-fit»
- Adjustable pedals 1D
- Adjustable steering wheel

PRACTICAL

- Fast clips braking system
- Nylon rods concept
- Weights box*

STICKERS KIT

- 2 standard stickers kit*
- Available on stickers generator*

* Extra option

SODI LR5

FOR YOUNG DRIVERS JUNIOR



With the LR5, young drivers can finally have fun the track.

Because children safety is our top priority, this go kart has been designed to integrate in standard all protections features that will preserve the young driver from injuries:

- Proline 360 protection
- Adjustable steering wheel
- Adjustable pedals 1D
- Adjustable seat

The young drivers are therefore placed in the best conditions, regardless of their height and weight, to experiment the fun of a race track.

Track operators always need a few to complement their adult fleet and this product is well known for its reliability.

With the LR5 you will take your kid to an unforgettable first driving experience!

KEY STRENGTHS

- Safe
- 100% Ergonomic
- Easy to drive
- High reliability

FEATURES



SAFETY

- Full rear axle covering
- Engine integral covering

ERGONOMY

- Adjustable seat «Easy-fit»
- Adjustable pedals 1D
- Adjustable steering wheel

PRACTICAL

- Fast clips braking system
- Nylon rods concept
- Weights box*

STICKERS KIT

- 2 standard stickers kit*
- Available on stickers generator*

* Extra option



«With the LR5, you will take your kid to an unforgettable first driving experience!»

SODI GT4R



The GT4R is the evolution of the world most sold leisure go kart GT4 which was the first kart on the market to feature a front energy absorption device « HEAD System»

Concepted to suit on all type of tracks (indoor et outdoor), the GT4R keeps the features which have made the success story of the GT4 and offers a brand new design integrating modern and trendy curves.

The new bodywork mounting system - «KLIPS» - enhance its very low operating costs and ease the maintenance on every sides of the kart. The new floor plate includes a new black stickers kit which upgrade the standards of the karts. Front components remains easy accessible for maintenance.

Due to its light weight and racing appeal, the GT4R is very much appreciated by drivers who like racing sensations and track operators who want a safe, reliable and simple product to start their business operation.

The new GT4R offers exceptional value for money.

KEY STRENGTHS

- Light
- High reliability
- Easy maintenance
- Excellent value for money

GREAT VALUE ELITE

FEATURES



SAFETY

- Full rear axle covering
- Engine integral covering

ERGONOMY

- Adjustable seat *

PRACTICAL

- Fast clips braking system
- Nylon rods concept
- Weights box*

STICKERS KIT

- 3 standard stickers kit*
- Available on stickers generator*

* Extra option

COMFORT EXPERIENCE ELITE



The go kart model GT5R is an upgrade of the GT4R. While it keeps all the benefits of the GT4R, the GT5R received in standard two important features that cannot be mounted on the GT4R :

- Integral Floor Covering
- Adjustable Pedal 2D

This go kart model is particularly well appreciated from track operators who want to offer some extra confort to theirs fleets of customers. Legs are protected with the Integral Floor Covering and every drivers can easily self adjust the distance to the pedals - enhancing the customer's experience.

The fully enclosed tank allows the operator to keep potential gasoline projections (by refueling) away from the drivers environment.

KEY STRENGTHS

- Comfortable
- Adjustable pedals 2D
- Integral floor covering
- Easy maintenance

SODI GT5R

FEATURES



SAFETY

- Full rear axle covering
- Engine integral covering
- Integral floor covering

ERGONOMY

- Adjustable seat *
- Adjustable pedals 2D

PRACTICAL

- Fast clips braking system
- Nylon rods concept
- Weights box*
- High capacity tank

STICKERS KIT

- 3 standard stickers kit*
- Available on stickers generator*

* Extra option

SODI SR4



The modern, racing and unique style of the SR series represent the new generation in karting design.

Designed to suit all kinds of tracks (indoor & outdoor), the SR4 includes the best features that made the success of the GT4R and offers a brand new design integrating modern and trendy curves.

The SR4 features a new «3 angle pedal position system» that is easy to configure and enables more flexibility and comfort.

Due to its light weight and racing appeal, the SR4 is very much appreciated by drivers who enjoy racing sensations and track managers who want a safe, reliable and simple product to boost their business.

KEY STRENGTHS

- Light
- Simple and reliable
- 3 angle pedal position
- Excellent value for money

SIMPLY STUNNING ELITE

FEATURES



SAFETY

- Full rear axle covering
- Engine integral covering

ERGONOMY

- Adjustable seat *
- 3 angle pedal position system

PRACTICAL

- Fast clips braking system
- Nylon rods concept
- Weights box*
- High capacity tank

STICKERS KIT

- 3 standard stickers kit*
- Available on stickers generator*

* Extra option

COMFORT AND STYLE ELITE



The SR5 model has all the advantages of the SR4 and comes with two important features as standard that cannot be fitted on the SR4 :

- Full Floor Covering
- 2D Adjustable Pedal

This kart model is particularly successful with track managers who want to provide extra comfort for customers. Legs are protected with the Integral Floor Covering and every driver can easily adjust the pedals themselves, enhancing customer experience.

The fully covered tank protects the driver space from possible petrol projections (when refuelling). Customer satisfaction has never been higher and this model fits perfectly customers' growing desire for adaptability and comfort.

KEY STRENGTHS

- Ergonomic & comfortable
- Adjustable pedals 2D
- Integral floor covering
- Most popular model

SODI SR5

FEATURES



SAFETY

- Full rear axle covering
- Engine integral covering
- Integral floor covering

ERGONOMY

- Adjustable seat *
- Adjustable pedals 2D

PRACTICAL

- Fast clips braking system
- Nylon rods concept
- Weights box*
- High capacity tank

STICKERS KIT

- 3 standard stickers kit*
- Available on stickers generator*

* Extra option

SODI RX8



The leisure industry is moving fast and standards are continuously increasing. To remain as close as possible to the market's expectations, SODIKART has launched a leisure go kart concept named RX.

RX paves the way of a new generation of leisure go karts with major technological innovations like the «PROSLIDE»: a Patented 360 all around high density plastic protection.

The RX8 is the latest version of the RX concept and is using several SODIKART technologies as standard features in order to make customers experience unforgettable.

Based on new age customer expectations, the RX8 is a very versatile product for track operators who want to launch indoor or outdoor projects with various customer profiles (ticket - corporate - racing leagues - birthday - etc...) and high repetitive business.

KEY STRENGTHS

- Proslide Technology
- Very reliable
- Ergonomic
- Safe

EASY AND EFFICIENT ELITE

FEATURES



SAFETY

- Full rear axle covering
- Engine integral covering
- Integral floor covering

ERGONOMY

- Adjustable seat «Easy-fit»*
- Adjustable pedals 2D

PRACTICAL

- Fast clips braking system
- Nylon rods concept
- Weights box*
- High capacity tank

STICKERS KIT

- 2 standard stickers kit*
- Available on stickers generator*

* Extra option

INTEGRAL BODYWORK ELITE



The RT8 model is the first go kart of the leisure industry featuring an integral bodywork which gives the customer brand new sensations and an incredible feeling of car racing and safety on board.

The ultra-modern and exceptional design has been associated to all the best and latest SODIKART technologies in order to make the RT8 an unrivaled product on the market. 38 years of experience from the R&D department have been concentrated in this product to make it efficient on fast outdoor tracks and easy to drive on narrow indoor tracks.

The kart is equipped with the latest safety features to achieve a level of safety never seen before. The bodywork can be removed within second to ease the maintenance of the kart.

A high number of options are available for track operators who want to adapt this model to their track's needs. On top of being the new benchmark for the leisure go kart industry, this model is the most chosen one worldwide by track operators who decide to go for the best !

KEY STRENGTHS

- Integral bodywork
- Racing car feeling
- Ergonomic
- Proslide Technology

SODI RT8

FEATURES



SAFETY

- Full rear axle covering
- Engine integral covering
- Integral floor covering

ERGONOMY

- Adjustable seat «Easy-fit»*
- Adjustable pedals 2D

PRACTICAL

- Fast clips braking system
- Nylon rods concept
- Weights box*
- High capacity tank

STICKERS KIT

- 2 standard stickers kit*
- Available on stickers generator*

* Extra option

SODI
RSX



THE BENCHMARK OF ELECTRIC KARTS

ELITE ELECTRIC



Equipped with an asynchronous brushless motor and last-generation lithium batteries, the Sodi RSX has more power, more autonomy and a higher number of charge cycles than its predecessor.

The ergonomics have also been revised and improved with a new seat and steering wheel adjustment system that allows to easily adjust (in addition to the adjustable pedal mechanism) the driving position according to the driver's morphology. These devices proved to be more reliable and easier to use than the previous ones.

Its racing and modern design combined with the new carbon F1 steering wheel will impress both the novice & the motorsports fan.

The Sodi RSX is, without a doubt, the most powerful, reliable, ergonomic and successful leisure electric kart on the market. Whether it is in a shopping center, a multi-activity center or in the city center, the SODI RSX is the best kart to live a 100% electric driving experience !

KEY STRENGTHS

- New battery
- 6KW electric engine
- 1500 hours warranty*
- Battery life up to 50min**

* 24 months or 1500hours , frst reached, normal use, no deep discharges, external temperature <35°C

** 50mn of battery life : « normal range », no deep discharges, external temperature <35°C

FEATURES



SAFETY

- Full rear axle covering
- Engine integral covering
- Integral floor covering
- Lock & charge

ERGONOMY

- Adjustable seat «Easy-fit»*
- Adjustable pedals 2D Auto
- Adjustable steering wheel*

PRACTICAL

- Fast clips braking system
- Nylon rods concept

STICKERS KIT

- 2 standard stickers kit*
- Available on stickers generator*

* Extra option



**«The SODI RSX is
the best kart to live a
100% electric driving
experience !»**

SODI SPORT

LIGHT & HIGH PERFORMANCE KART PERFORMANCE



The SODI Sport is a sport-style rental kart, boasting performance close to a racing kart. It has been designed for those seeking a thrilling driving experience. It is a lightweight, precise and driver-friendly kart.

The chassis, inspired by our racing experience, and external protections (PROFLEX patent), have been especially designed for the SODI SPORT. They enable the kart to grip the track and intuitively relay information to the driver.

We also wanted to enhance ergonomics and driving comfort: With its well-aligned driving position worthy of a racing kart, and its multiple adjustment options, it is suitable for a wide range of drivers.

PROFLEX System: an optimisation system that adjusts to chassis torsion. Mechanical disengagement of all peripheral protections is based on assembly using ball joints or pivots. Patent filed.

FEATURES



SAFETY

- Full rear axle covering
- Integral floor covering

ERGONOMY

- Seat - 3 positions
- Adjustable pedals 2D Auto

PRACTICAL

- Fast clips braking system
- Nylon rods concept
- Weights box*
- High capacity tank

STICKERS KIT

- 1 standard stickers kit*

* Extra option

FEATURES

- Light & accurate
- Racing spirit
- Proflex Technology
- 6 engines available



«The SODI Sport has an optimal weight balance and an impressive track behavior ... I really had a lot of fun with it !»

Bas Lammers



DREAM RACER CONCEPT



«Everyone should be able to experience the enjoyment of karting» said track operators.

Their wishes have been fulfilled with the launch of this unique two-seater go kart. This new concept of go kart enables track owners to broaden their scope of:

- Teaching driving techniques
- Road safety advises
- Family and friends duo packages
- Disabled people experience
- Team building...

Always at the top of the technology, SODIKART has revealed a new patented and unique feature on this kart with a passenger steering wheel which can be activated or locked in a few seconds and depending on the service offered by the track operator.

Drive with a PRO and take the steering for a lap! Phenomenal sensations...

KEY STRENGTHS

- Multiple uses
- Adaptable to disabled people
- 2nd steering wheel on/off
- Ergonomic



«Drive with a PRO and take the steering wheel for a lap! Phenomenal sensations.»

FEATURES



SAFETY

- Full rear axle covering
- Engine integral covering
- Integral floor covering

ERGONOMY

- Adjustable pedals 1D
- Adjustable steering wheel

PRACTICAL

- Fast clips braking system
- Nylon rods concept

* Extra option

FEATURES / EXTRA OPTIONS & ENGINES

	JUNIOR			ELITE				ELITE ELECTRIC	PERFORMANCE	CONCEPT
	KidRacer	LR5	LRX	SR4	SR5	RX8	RT8	RSX	SPORT	2Drive
Roll bar/ safety belt	✓	●	●	●	●	●	●	●		✓
Remote control	✓	●	●	●	●	●	●	●		●
Brake gas kit	✓	●	✓	●	●	●	●	✓		✓
Padded seat		●	●	●	●	●	●	●	●	●
Adjustable seat		✓	✓	●	●	●	●	●	✓	
Adjustable pedal		✓	✓	✓	✓	✓	✓	✓	✓	✓
Adjustable steering wheel		✓	✓					●		✓
Ice version				●	●	●	●	●		●
Brake LED light	✓	●	●	●	●	●	●	●	●	●
Weight box		●	●	●	●	●	●	●	●	
Ultra silent version		●				●	●			
Front LED light	✓	●	●	●	●	●	●	●		●
Hour meter	●	●		●	●	●	●		●	●
Sodi stickers kit	●	●	●	●	●	●	●	●	●	●
2nd steering wheel drive										●

● Extra options ✓ Standard equipment

HONDA GX 160cc		●								
HONDA GX 200cc		●		●	●	●	●		●	
HONDA GX 270cc				●	●	●	●		●	●
HONDA GX 390cc				●	●	●	●		●	●
HONDA GX 270cc GPL				●	●					
HONDA GX 390cc GPL				●	●					
HEC 250 cc (11 to 28hp)									●**	
ROTAX 21hp									●	
ROTAX 28hp									●	
ENGEC			●					●		
BRUSHLESS 600w	●									

SODI Karts conform to the European directive «Machines» 2006/42 and meet the requirements of the following reference documents:

- ☑ The NFS52-002 standard.
- ☑ «Technical and safety Karting rules. FFSA».
- ☑ «Recommendations from the CIK-FIA for Karting Leisure».

All the SODI Karts are delivered completely assembled.



«Sodikart differentiates itself from its competitors by providing added value for end consumers, focusing on return on investment and efficiency.»



The biggest worldwide go-karts ranking !

Since 2009, SODIKART has organized the SWS (SODI W SERIES), the 1st International Leisure Ranking for Kart Racing.

The aim is to gather the world's best «recreational» drivers in three competitions, by country or by SWS tracks.

The SWS races are organized only on the partner tracks fitted with the Sodi Rental chassis.

Every year, the best drivers can attempt to qualify for the SWS World Grand Final organized by Sodikart on a prestigious track.

With more than 500 new participants each month ; the SWS are the most important event in recreational karting in the world!

SODIWSERIES.com



SWS FINALS
The greatest leisure karting event of the year.

The biggest go-karts ranking worldwide!

62 000 DRIVERS
98 COUNTRIES
455 TRACKS
6215 RACES IN 2019

THE SODI W FINALS :
280 DRIVERS

The greatest leisure karting event of the year



AFTER SALES SERVICE

Provide you a complete and customized solution, all around the world.

We attach particular importance to our after sales service : we want to satisfy our customers at a time of buying but also during supervision or maintenance of their karts. Wishing to offer the best possible service to its customers, Sodikart has qualified teams providing both quality listening, specific advice and real follow-up.

Even if we are working every day to benefit from the most reliable karts in the world, you can have a problem or anomaly. Our after sales service is listening to find the solution.

Sodikart is the only manufacturer to have a specific After Sale department of 5 persons, ready to be everywhere around the world the next day to provide you a complete and customized solution.



OUR VALUES

Our corporate values guide our conduct



Racing spirit

The spirit of competition has been in its DNA from the beginning as evidenced by its everyday culture of creativity and innovation at all levels of its business.



Customer service

Customer satisfaction represents both the philosophy and the guiding principle of SODIKART: be attentive, understand their needs, put our experience to their service, be true to our word, provide technical performance, confidentiality and individual support by optimizing cost control and lead time management.



Quality

Sodikart differentiates itself from its competitors via high quality/price positioning on niche products, and through providing added value for end consumers, focusing on return on investment and efficiency.



Innovation

Technological excellence, innovation and customer service are the key words at SODIKART. They are the base of its state of mind, its passion and its history. SODIKART guarantees the quality, reliability and security of its karts with a constant dynamic of innovation, its project management skills and understanding of its customers' specific needs.



Human values

Human relations are at the heart of our business. For the past 35 years, SODIKART has developed a family size team spirit, sharing of knowledge and know-how, creating initiative and respect for ethics. Our company is currently supported by over 100 employees and promotes cooperation at all levels, mutual respect, seeks professional growth and the sense of belonging to a group on a human scale.





Parc d'Activités des Hauts de Couëron - 44220 COUËRON - FRANCE
Tél. (33) 02 40 38 26 20 - Fax. (33) 02 40 38 26 21 - sodikart.com - sodikart@sodikart.com

09/01/2020

